



WW PROFILE HP IP™

The IP65 rated WW Profile HP IP™ ellipsoidal features a High Power 130W Warm White 3,000K LED engine producing >91CRI and 10,000+ total lumens, 19°, 26°, 36°, and 50° interchangeable lens options (sold separately), (4) blade manual framing shutters, supports B size metal gobos (gobo holder not included) and an optional IP65 rated DMX controlled dual gobo rotator (sold separately), manual focus, DMX controlled electronic strobe, 16bit dimming and selectable dimming curve modes, flicker free operation for TV and FILM, adjustable refresh frequency and gamma brightness, IP rated 5pin DMX and powerCON TRUE1 in/out connections, (4) button LCD control display panel, an integrated rigging yoke, quiet fan cooling, and a multi-voltage universal auto switching power supply (100-240v).



*Optional IP65 Dual Gobo Rotator shown.

FEATURES

- IP65 Rated High Power Ellipsoidal**
- 130W Warm White 3,000K LED Engine**
- >91CRI and 10,000+ Total Lumens Output**
- 19°, 26°, 36°, 50° Lens Options (sold separately)**
- Supports B Size Metal Gobos (gobo holder not included)**
- IP65 DMX Controlled Dual Gobo Rotator (sold separately)**
- (4) Blade Manual Framing Shutters**
- DMX Controlled Electronic Strobe and 16bit Dimming**
- Selectable Dimming Curve Modes**
- Flicker Free Operation for TV and FILM**
- Adjustable Refresh Frequency and Gamma Brightness**
- Quiet Fan Cooling**

Specifications subject to change without notice ©Elation Professional 03/05/19

Elation Professional USA | 6122 S. Eastern Ave. | Los Angeles, CA. 90040
323-582-3322 | 323-832-9142 fax | www.elationlighting.com | info@elationlighting.com

Elation Professional B.V. | Junostraat 2 | 6468 EW Kerkrade, The Netherlands
+31 45 546 85 66 | +31 45 546 85 96 fax | www.elationlighting.eu | info@elationlighting.eu



SPECIFICATIONS

SOURCE

High Power 130W 3,000K Warm White LED Engine
50,000 Hour Average LED Life*

*May vary depending on several factors including but not limited to:
Environmental Conditions, Power/Voltage, Usage Patterns (On-Off Cycling), Control and Dimming.

PHOTOMETRIC DATA

>91 CRI | 10,000+ Total Lumens

EFFECTS

Electronic Strobe and 16bit Dimming
Selectable Dimming Curve Modes

GOBOS

Supports "B" Size Metal Gobos (gobo holder not included)
IP65 Rated DMX Controlled Dual Gobo Rotator**

**Gobo Rotator Sold Separately

CONTROL / CONNECTIONS

4 DMX Channel Modes (1 / 3 / 6 / 8)
Adjustable Refresh Rates
Adjustable Gamma Brightness
4 Button Control Panel / LED Menu Display
IP Rated 5pin DMX In/Out / powerCON TRUE1 In/Out

SIZE / WEIGHT

Length: 29.6" (753mm)
Width: 13.9" (353mm)
Vertical Height: 18.9" (480mm)
Weight: 24 lbs. (11kg)

ELECTRICAL / THERMAL

Quiet Fan Cooling
AC 100-240V - 50/60Hz
170W Max Power Consumption
14° to 113°F (-10° to 45°C)

APPROVALS / RATINGS



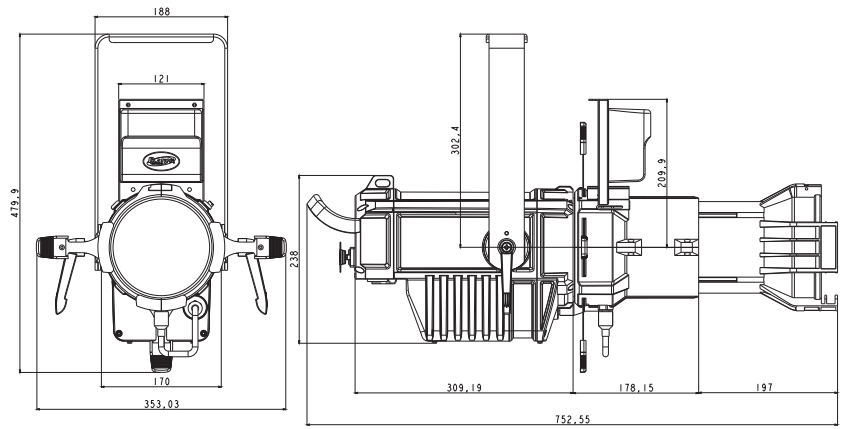
IP65



INCLUDED ITEMS

powerCON TRUE1 Cable
IP Rated 5pin DMX Cable
Safety Cable

DIMENSIONAL DRAWINGS



19°, 26°, 36°, 50° LENS Options (sold separately)



IP65 DUAL GOBO DMX CONTROLLED ROTATOR (sold separately)

ORDERING INFORMATION

PRODUCT ORDER CODE	
WWP702	WW PROFILE HP IP
OPTIONAL ACCESSORIES ORDER CODES	
QUICK RIG CLAMP	Low Profile Quick Release Clamp
IPR701	IP65 Rated DMX Controlled Dual Gobo Rotator
PHD019	Profile High Definition Lens 19°
PHD126	Profile High Definition Lens 26°
PHD236	Profile High Definition Lens 36°
PHD350	Profile High Definition Lens 50°
NEU088	3 ft. (1m) powerCON TRUE1 Power Link Cable



Specifications subject to change without notice ©Elation Professional 03/05/19

Elation Professional USA | 6122 S. Eastern Ave. | Los Angeles, CA, 90040
323-582-3322 | 323-832-9142 fax | www.elationlighting.com | info@elationlighting.com

Elation Professional B.V. | Junostraat 2 | 6468 EW Kerkrade, The Netherlands
+31 45 546 85 66 | +31 45 546 85 96 fax | www.elationlighting.eu | info@elationlighting.eu